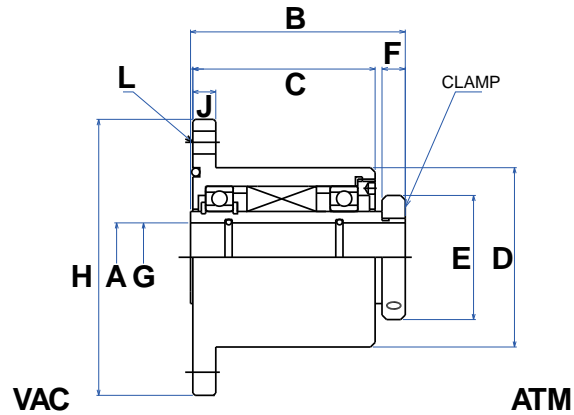
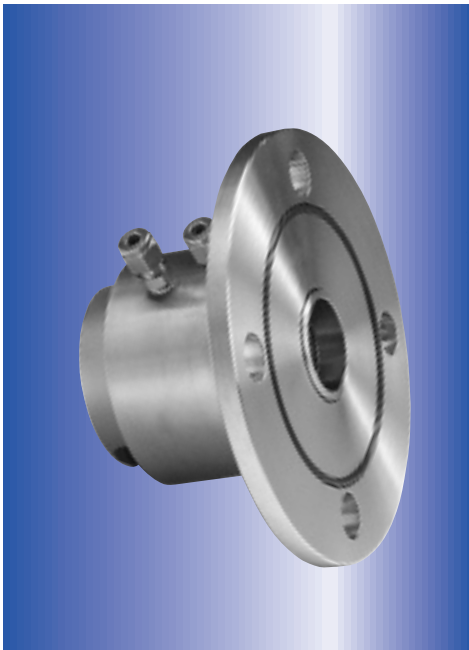


Hollow Shaft Flange Mount Feedthroughs



INCH SIZES

Model Number		HS-500-SLFAC/ HS-500-SLFACW	HS-1000-SLFBC/ HS-1000-SLFBCW	HS-1500-SLFBCW	HS-1500-CFFCWPS*	HS-2000-SLFBC
Part Number		103358/ 105395(water cooled)	103359/ 105396(water cooled)	103354	107428	103361/ 103921(water cooled)
Bore diameter [in]	A	0.502	1.002	1.502	1.501	2.002
Overall length [in]	B	3.215	3.34	3.714	6.9	3.966
Housing length [in]	C	2.75	2.75	3.00	5.00	3.25
Housing diameter [in]	D	2.75	3.00	3.75	4.88	4.18
Clamp diameter [in]	E	1.25	2.00	3.00	n/a	3.50
Clamp thickness [in]	F	0.38	0.50	0.62	n/a	0.62
Recommended shaft diameter [in]	G	0.500 ⁺⁰ _{-0.002}	1.000 ⁺⁰ _{-0.002}	1.500 ⁺⁰ _{-0.002}	1.500 ⁺⁰ _{-0.002}	2.000 ⁺⁰ _{-0.002}
Flange diameter [in]	H	6.00	7.00	7.00	8.00	7.00
Flange thickness [in]	J	0.38	0.38	0.38	0.50	0.38
Fitting locations for optional water cooling		0.54, 1.15	0.35, 1.36	0.55, 1.13	0.44, 1.28	0.62, 1.23
Mounting holes	L	0.750, 4x on 4.750 bc	0.750, 4x on 5.500 bc	0.750, 4x on 5.500 bc	0.750, 4x on 7.000 bc	0.750, 4x on 5.500 bc
Bearing type/material		6903/BS	6906/BS	6909/BS	7012/BS	6911/BS
Maximum no-load speed [rpm]		9 500	7 000	6 500	6 000	5 500
Flange face O-ring		2-238	2-244	2-244	2-256	2-244
Shaft extension (vac) [in]		.03	.03	.03	.03	.03

* cantilevered configuration

METRIC SIZES

Model Number		HFL-010-CN/ HFL-010-MN	HFL-020-CN/ HFL-020-MN	HFL-025-CN/ HFL-025-MN	HFL-030-CN/ HFL-030-MN	HFL-040-CN/ HFL-040-MN	HFL-050-CN/ HFL-050-MN	HFL-075-CN/ HFL-075-MN
Part Number		07142/ 004172(water cooled)	07143/ 004184(water cooled)	07146/ 003918(water cooled)	007147/ 004110(water cooled)	007148/ 004122(water cooled)	007242/ 004151(water cooled)	007244/ 004190(water cooled)
Bore diameter [mm]	A	10 ^{+0.03} _{+0.01}	20 ^{+0.04} _{+0.02}	25 ^{+0.04} _{+0.02}	30 ^{+0.04} _{+0.02}	40 ^{+0.05} _{+0.02}	50 ^{+0.05} _{+0.02}	75 ^{+0.06} _{+0.03}
Overall length [mm]	B	78	82.5	88	93	96	98	115
Housing length [mm]	C	64	68.5	74	79	80	82	96
Housing diameter [mm]	D	51	63	71	78	90	103	143
Clamp diameter [mm]	E	34	44	49	54	69	79	109
Clamp thickness [mm]	F	10	10	10	10	12	12	15
Recommended shaft diameter [mm]	G	10 ^{-0.01} _{-0.03}	20 ^{-0.01} _{-0.03}	25 ^{-0.01} _{-0.03}	30 ^{-0.01} _{-0.03}	40 ^{-0.01} _{-0.03}	50 ^{-0.01} _{-0.03}	75 ^{-0.01} _{-0.04}
Flange diameter [mm]	H	90	105	120	120	145	160	210
Flange thickness [mm]	J	10	10	10	10	10	12	12
Fitting locations for optional water cooling		20	22.5	26	27	27	26.5	33
Mounting holes	L	10mm, 4x on a 70mm bolt circle	10mm, 4x on a 85mm bolt circle	10mm, 4x on a 100mm bolt circle	10mm, 4x on a 100mm bolt circle	12mm, 4x on a 120mm bolt circle	12mm, 4x on a 135mm bolt circle	12mm, 8x on a 185mm bolt circle
Bearing type/material		16003/SUJ2	6906/SUJ2	6907/SUJ2*	6908/SUJ2	6910/SUJ2	6912/SUJ2	6918/SUJ2
Shaft extension (vac) [mm]		1	1	1	1	1	1	1
Face seal O-ring		G40	G50	G60	G70	G80	G90	G130

*similar to ISO 1.3505