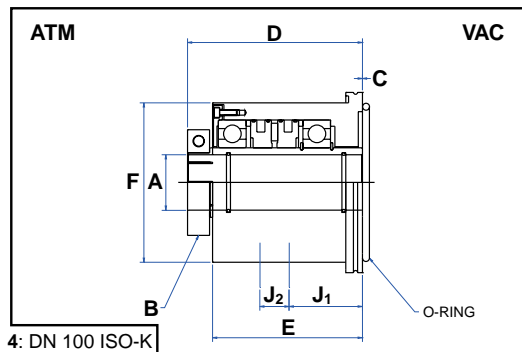
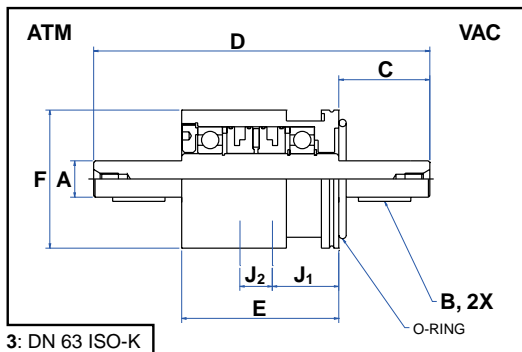
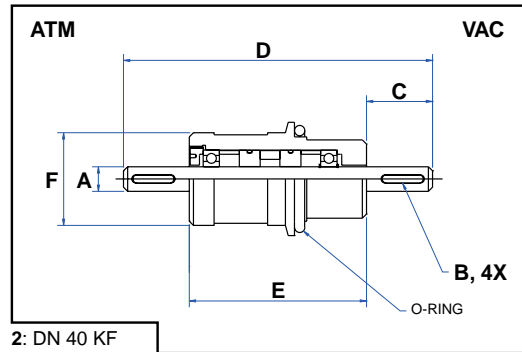
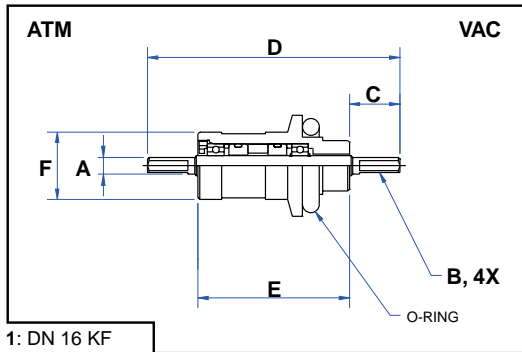


New Metric Feedthroughs



METRIC SIZES

Drawing Reference	1	2	3	4
Model Number	SFL-005-NN ¹	SFL-012-NN ²	SFL-025-WN ³	HFL-040-MN ⁴
Part Number	132097	132098	132099	132100
Shaft diameter [mm]	A 5 ^{-0.04} _{-0.12}	12 ^{-0.06} _{-0.17}	25 ^{+0.15} _{+0.02}	40 ^{+0.50} _{+0.25}
Shaft termination [mm]	B 0.5 x 12 flat, 4x	4h9 x 20 key 2x	8h9 x 36 key 2x	CLAMP
Shaft extension (Vac) [mm]	C 15	32	62.5	0
Overall length [mm]	D 75	150	231	126
Housing overall length [mm]	E 45	86	108	108
Housing diameter [mm]	F 20 ^{-0.07} _{-0.20}	45 ^{-0.09} _{-0.25}	95	115
Flange diameter [mm]	31	51	72	96
Fitting locations for optional water cooling	J ₁ , J ₂		46,22	53,21
Torque capacity [Nm]	1.5	16.5	174.5	
Bearing type/material	686/SS	6001/SS	6207/BS	6210/BS
Maximum no-load speed [rpm]	7300	10 000	4800	3100
Face seal O-ring	18x5	42x5	75.6 x 5.3 (2-337)	107.2 x 5.3 (2-347)
Flange Type	DN 16 KF	DN 40 KF	DN 63 ISO-K	DN 100 ISO-K

*1: also available in shaft diameters:	diameter	model number	part number
	4mm	SFL-004-NN	132146
	6mm	SFL-006-NN	132145

*2: also available in shaft diameters:	diameter	model number	part number
	10mm	SFL-010-NN	132147

*3: also available in shaft diameters:	diameter	model number	part number
	20mm	SFL-020-WN	132148
	30mm	SFL-030-WN	132149

*4: also available in shaft diameters:	diameter	model number	part number
	25mm	HFL-020-MN	132151
	30mm	HFL-030-MN	132150

• Note: Other external dimensions will also vary for these feedthroughs