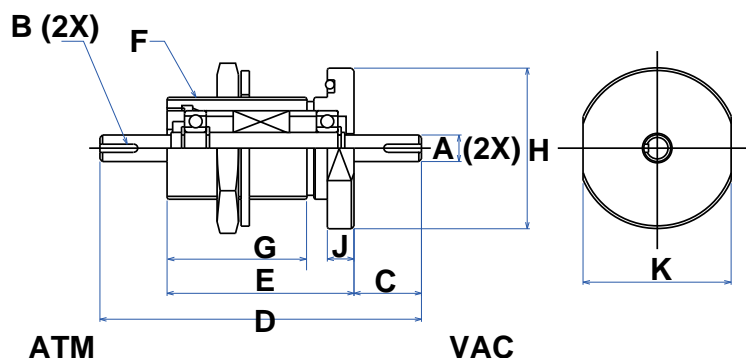
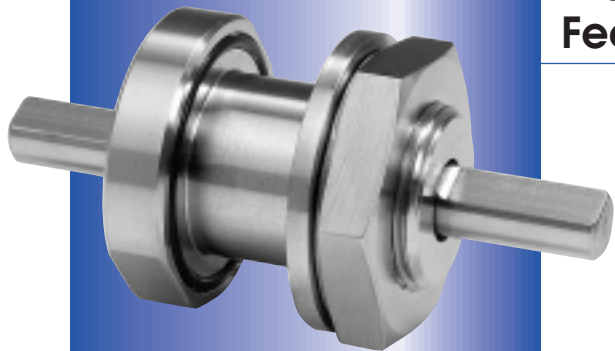


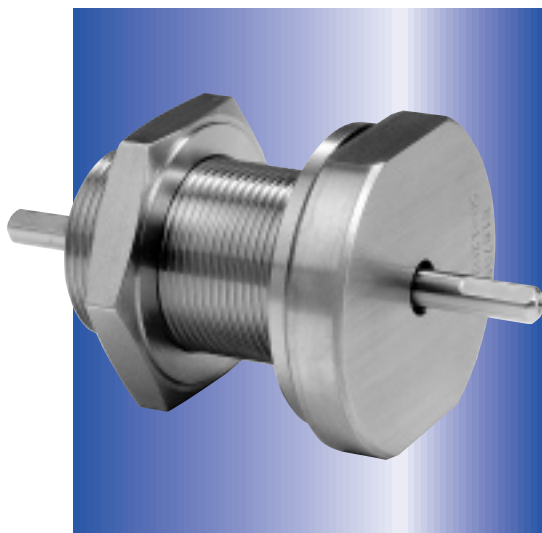
# Nut Mount Feedthroughs



## INCH SIZES

Model Number	SS-250-SLBD	SS-250-SLBE	SS-250-SLBE	SS-375-SLBE	SS-375-SLBE	SS-375-CFBE*	SS-375-SLBF	SS-250-SLBE
Part Number	103236	103237	103982	108664	103990	121132	103991	107519
Shaft diameter [in]	A	0.250	0.250	0.250	0.375	0.375	0.375	0.250
Shaft termination [in]	B	.030d x .40L (flat)	.030d x .40L (flat)	.030d x .75L (flat)	.045d x .75L (flat)	.030d x .40L (flat)	.030d x .40L (flat)	.030d x .40L (flat)
Shaft extension (Vac) [in]	C	0.75	0.75	0.75	0.87	0.73	0.75	0.75
Overall length [in]	D	3.437	3.437	3.437	3.39	4.625	4.50	3.125
Housing overall length [in]	E	1.93	1.93	1.93	1.65	3.14	3.00	2.47
Thread	F	.750-16UNF-2A	1-14UNS-2A	1-20UNEF-2A	1-14UNS-2A	1-14UNS-2A	1-14UNS-2A	1.5-12UNF-2A
Thread length [in]	G	1.52	1.5	1.5	0.45	0.71	2.59	1.72
Flange diameter [in]	H	1.625	1.625	1.625	1.625	1.62 / 1.25	1.625	2.12
Flange thickness [in]	J	0.25	0.25	0.25	0.35	0.81 / .31	0.25	0.25
Flange wrench flat [in]	K	1.5	1.5	1.5	1.5	n/a	1.50	n/a
Torque capacity [lb-in]		15	15	15	67	67	67	15
Bearing type/material		R4/SS	R4/SS	R4/SS	R6/SS, R620/SS	R6/SS	6800/SS	R6/SS
Maximum no-load speed [rpm]		10,000	10,000	10,000	10,000	10,000	10,000	10,000
Face seal O-ring		2-026	2-026	2-215	2-026	2-026	2-026	2-132

\* cantilevered configuration



## METRIC SIZES

Model Number	SNL-006-NN	SNL-010-NN
Part Number	04060	04001
Shaft diameter [mm]	A	6 <sup>+0</sup> <sub>-0.018</sub>
Shaft termination [mm]	B	0.5 d x 12 L (flat)
Shaft extension (Vac) [mm]	C	20
Overall length [mm]	D	97.5
Housing overall length [mm]	E	57.5
Thread	F	M32x1.5
Flange diameter [mm]	H	55
Flange thickness [mm]	J	10
Flange wrench flat [mm]	K	49
Torque capacity [Nm]		2.5
Bearing type/material		627/SUS440C
Face seal O-ring		P35

\* similar to ISO 1.4435