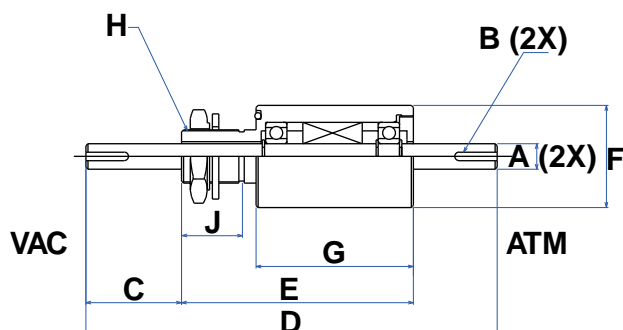


Threaded Mount Feedthroughs



INCH SIZES

Model Number		SS-188-SLAA	SS-250-SLAB	SS-500-SLAE/ SS-500-SLAEW	SS-750-SLAE / SS-750-SLAEW
Part Number		103971	103978	103191/ 103204 (water cooled)	103193/ 103206 (water cooled)
Shaft diameter [in]	A	0.1875	0.250	0.500	0.750
Shaft termination [in]	B	0.030d x 0.37L (flat)	0.030d x 0.40L (flat)	0.126w x 0.77d x 1.0L (keyway)	0.188w x 0.114d x 1.0L (keyway)
Shaft extension (Vac) [in]	C	0.50	0.75	2.49	2.49
Overall length [in]	D	2.562	3.437	8.812	8.812
Housing overall length [in]	E	1.58	1.937	5.072	5.072
Housing diameter [in]	F	0.63	0.75	2.87	2.87
Body length [in]	G	1.3	1.562	3.562	3.562
Thread	H	5/16-24 UNF-2A	7/16-20 UNF-2A	1"-14 UNS-2A*	1"-14 UNS-2A*
Thread length [in]	J	0.28	0.375	1.33	1.33
Fitting locations for optional water cooling		N/A	N/A	0.89, 1.74	0.89, 1.74
Torque capacity [lb-in]		10	16	180	670
Bearing type/material		R166/SS	R4/SS	R8/SS	R12/SS
Maximum no-load speed [rpm]		10 000	10 000	10 000	8 100
Face seal O-ring, Viton		2-012	2-015	2-128	2-128

* supplied with nut and washer

METRIC SIZES

Model Number		SSL-004-NN	SSL-005-NN	SSL-006-NN	STL-012-NN/ STL-012-WN	STL-020-NN/ STL-020-WN
Part Number		04010	04040	04000	09507/ 03905 (water cooled)	009508/ 04008 (water cooled)
Shaft Diameter [mm]	A	4 ⁺⁰ _{-0.018}	5 ⁺⁰ _{-0.018}	6 ⁺⁰ _{-0.018}	12 ⁺⁰ _{-0.027}	20 ⁺⁰ _{-0.033}
Shaft termination [mm]	B	0.5d x 10L (flat)	0.5d x 10L (flat)	0.5d x 10L (flat)	4w x 2.5d.x 20L (keyway)	6w x 3.5d.x 25L (keyway)
Shaft extension (Vac) [mm]	C	15	15	15	40	55
Overall length [mm]	D	76.5	76.5	76.5	179	211
Housing overall length [mm]	E	46.5	46.5	46.5	109	121
Housing diameter [mm]	F	21	21	21	48	63
Body length [mm]	G	36.5	36.5	36.5	74	82
Thread	H	M12x1.5	M12x1.5	M12x1.5	M25x1.5*	M30x1.5*
Fitting locations for optional water cooling	K1	N/A	N/A	N/A	36.5	40.5
Torque capacity [Nm]		1	1.5	1.5	23.5	108.5
Bearing type/material		686/SUS440C**	686/SUS440C	686/SUS440C	6002/SUS440C	6005/SUS440C***
Face seal O-ring		S14	S14	S14	G35	G50

* supplied with nut and washer

** similar to ISO 1.4435

*** similar to ISO 1.4125